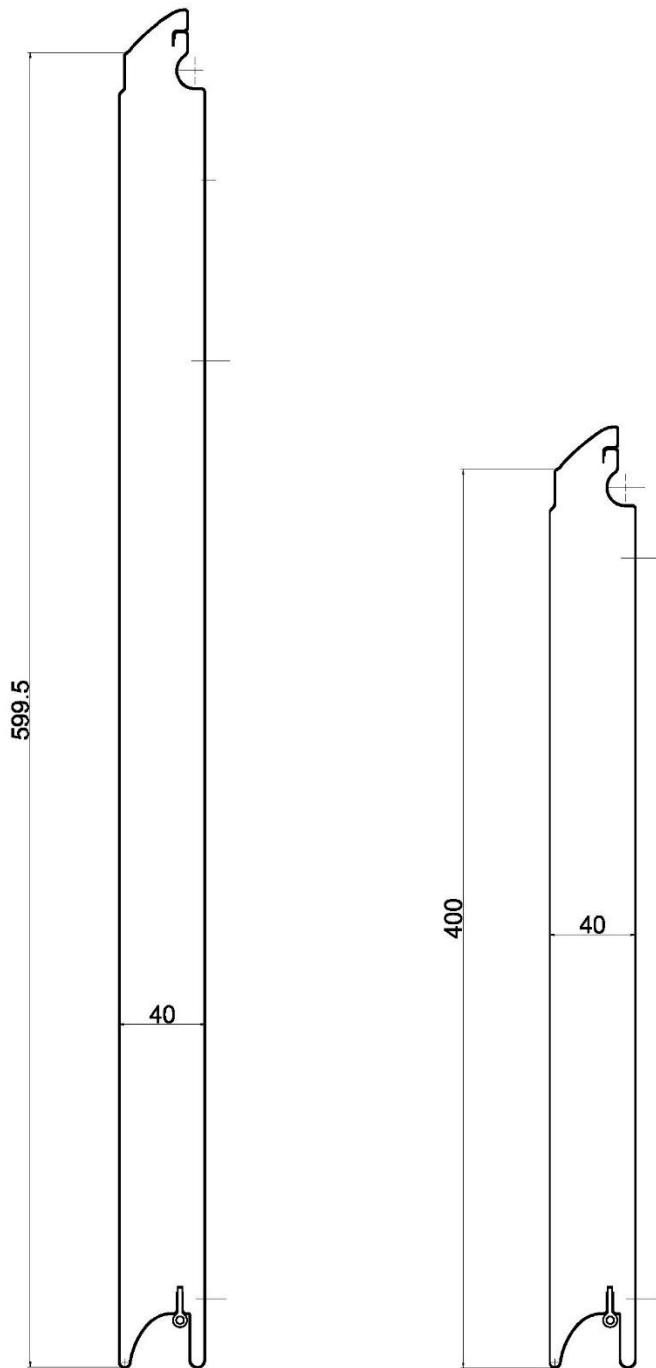


Sve izražene mjere su u mm (milimetrima)
All expressed measurements are in mm (millimeters)



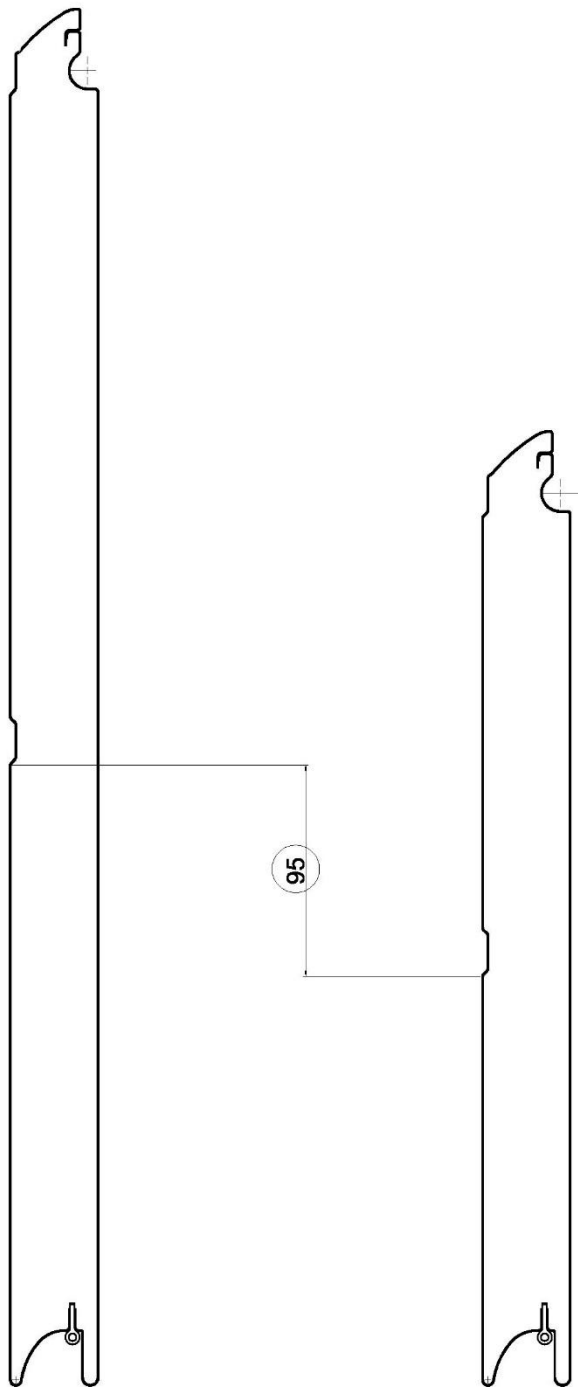
Ravni panel (bez linija)

Flat panel (without ribs)

PANEL 600mm PANEL 400mm

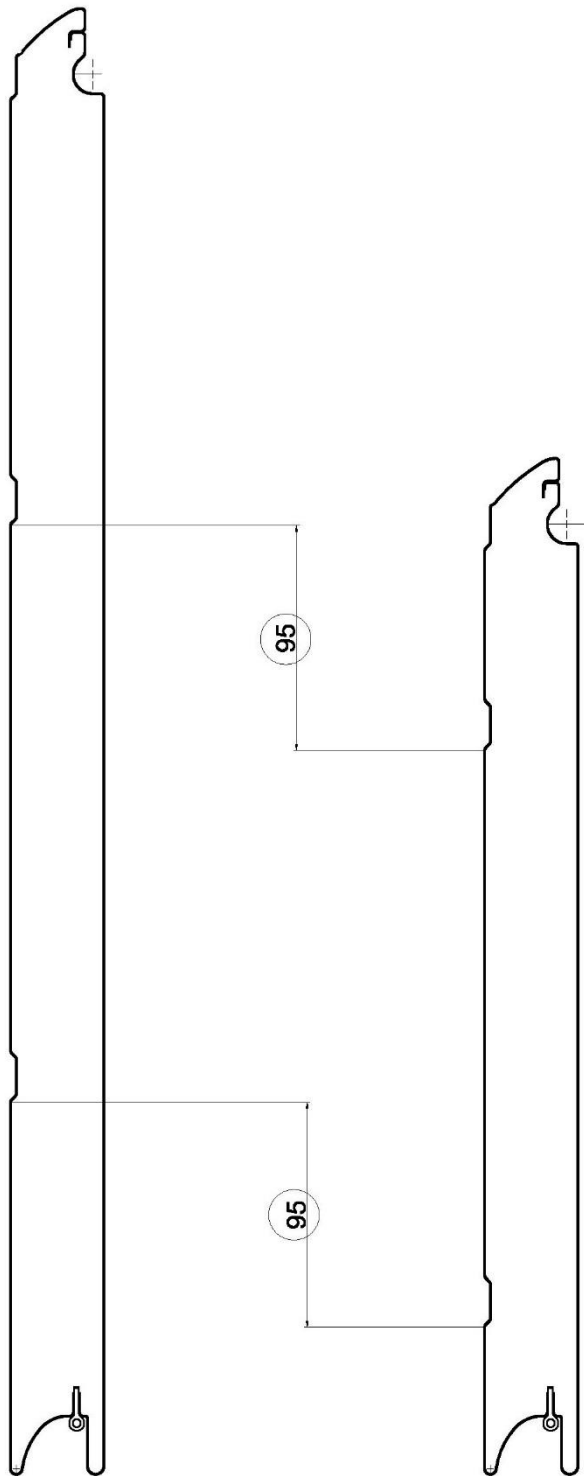
Variable width of panel from 400mm to 600mm

Sve izražene mjere su u mm (milimetrima)
All expressed measurements are in mm (millimeters)



Panel s 1 linijom / Panel with 1 rib
Movement of rib 95mm
PANEL 600mm PANEL 400mm
Variable width of panel from 400mm to 600mm

Sve izražene mjere su u mm (milimetrima)
All expressed measurements are in mm (millimeters)

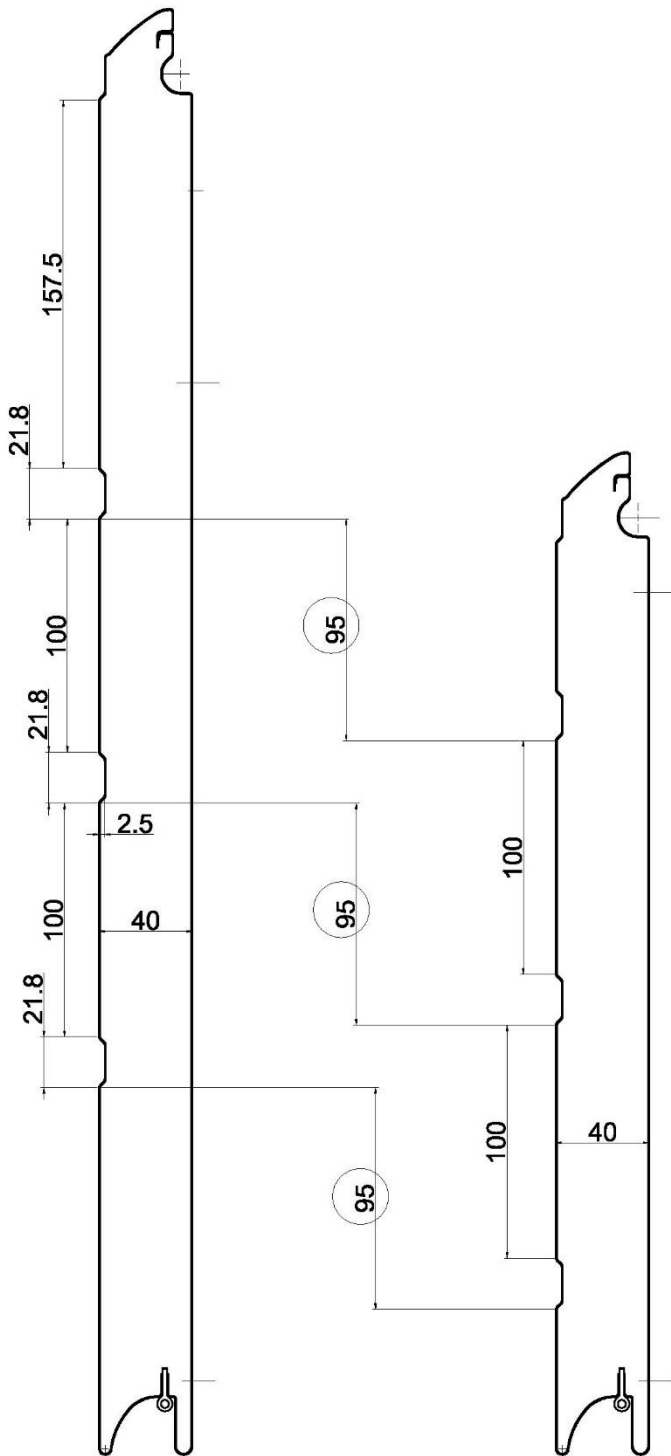


Panel s 2 linije / Panel with 2 ribs
Movement of ribes 95mm

PANEL 600mm PANEL 400mm

Variable width of panel from 400mm to 600mm

Sve izražene mjere su u mm (milimetrima)
All expressed measurements are in mm (millimeters)



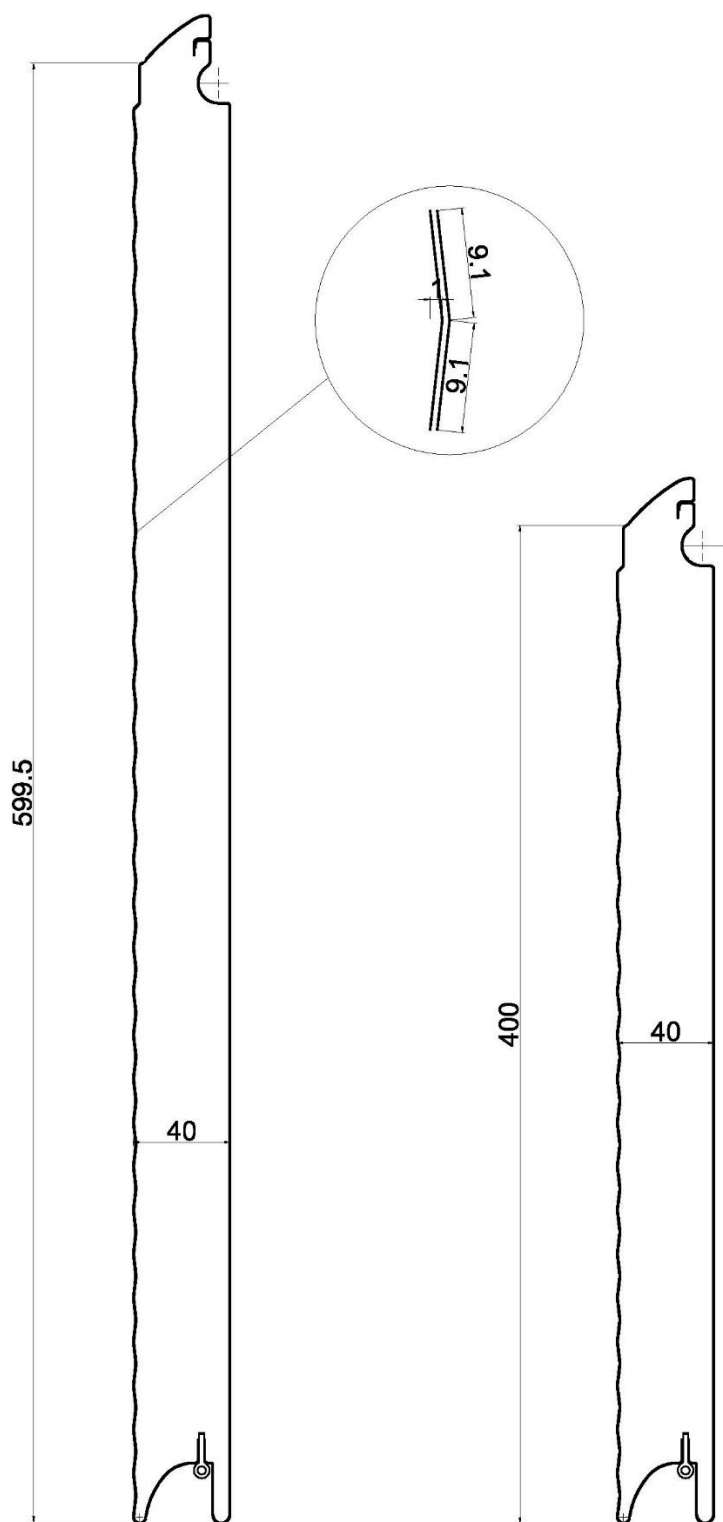
Panel s 3 linije / Panel with 3 ribs

Movement of ribs 95mm

PANEL 600mm PANEL 400mm

Variable width of panel from 400mm to 600mm

Sve izražene mjere su u mm (milimetrima)
All expressed measurements are in mm (millimeters)



Mikrovalovi / Microwaves
PANEL 600mm PANEL 400mm
Variable width of panel from 400mm to 600mm

Mjesto i datum: _____
(Place and date)

ZA PONUDITELJA:
(TENDERER)

(name, surname and signature of the authorized representative)